

# FLOW CONTROL VALVE

## Series GR2

Cat No GR2 - 01 - 03

### FLOW CONTROL VALVE - Inline type

#### Features

- Fine regulation of air flow
- Elegant design and finish



#### Function

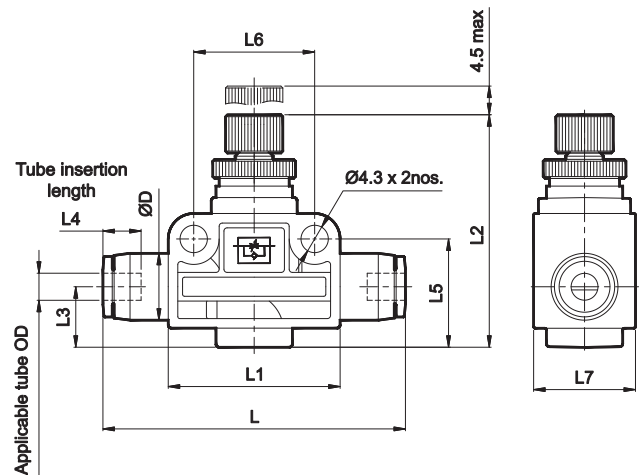
These valves allow controlled flow of air in one direction and free flow in the other direction.

#### Application

These valves are used to control the speed of the pneumatic cylinder.

#### Technical Specifications

Type	Reversing type
Model	GR011
Medium	Compressed air - Dry / Lubricated
Max. operating pressure	10 bar
No. of needle rotations	8
Ambient temperature	-10° to +60° C
Medium temperature	+5° to +50° C
Materials of construction	Brass, Acetal, Nitrile
Applicable tubes	Nylon, Polyurethane



Sl. No	Ordering No.	Applicable Tube OD	L	L1	L2	L3	L4	L5	L6	L7	ØD	Free Flow Lts/min. @	Controlled Flow Lts/min. @
1	GR0110404	4	49.5	27	37.5	9.5	14.5	17	19	16	10.5	50	50
2	GR0110606	6	55	32	43.5	11	15.5	19.5	24	19	12.5	225	200
3	GR0110808	8	58	32	43.5	11	17.5	20.5	24	19	15	450	400
4	GR0111010	10	68.5	33	48	12	20	23.5	25	22	18.5	800	550
5	GR0111212	12	68.5	33	48	12	20.5	24.5	25	22	21	950	900

@ - Inlet pressure 6 bar, and pressure drop 1 bar.

#### How to order

While ordering Flow control valve, mention the ordering number given in the corresponding tables.

Subject to change